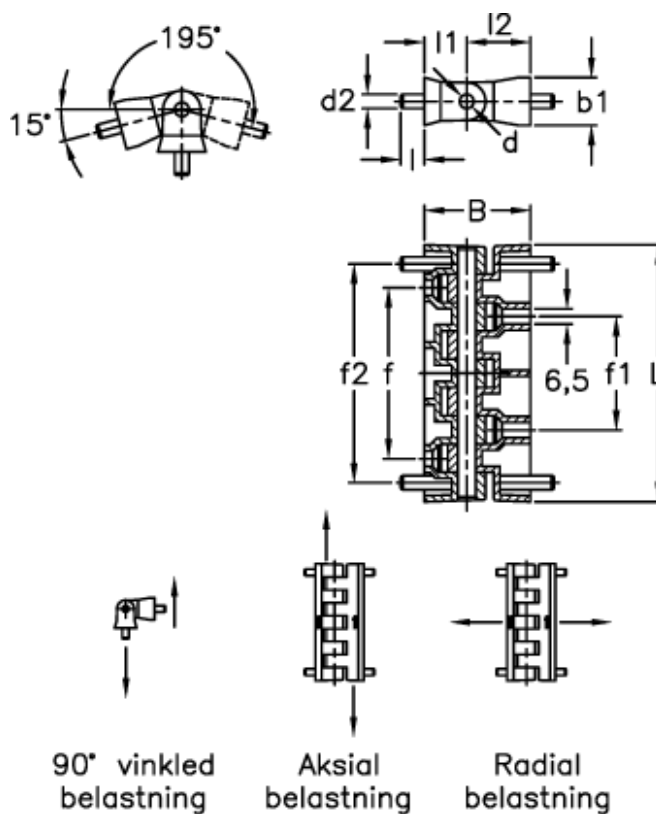


Data Sheet



Article number: 2310422511
 Description: E+G Hinge
 CFB.108 SH-6

Measures



90 degrees ultimate strength R90 (N)	= 2200	f1 +/-0.25	= 48.2
Axial ultimate strength Ra (N)	= 6020	f2 +/-0.25	= 92.7
B	= 45	l	= 10
b1	= 20.5	L	= 109
d	= 6	l1	= 18
d2	= 6	l2	= 27
d3	= 6.5	Max. axial load Ea (N)	= 610
f +/-0.25	= 72.5	Max 90 degrees load E90 (N)	= 520

Max radial load Er
 Max tightening torque
 Radial ultimate strength